

MODEL VV

The cost-efficient solution for low-horsepower gas, water and lube oil cooling.



48 VV with Standard Core Guard and Optional Manually Operated Main Louvers

MODEL VV SPECIFICATIONS

- Fan diameters from 18" to 60".
- Engine drive and electric motor drive configurations.
- Typical compression HP: 50-250.

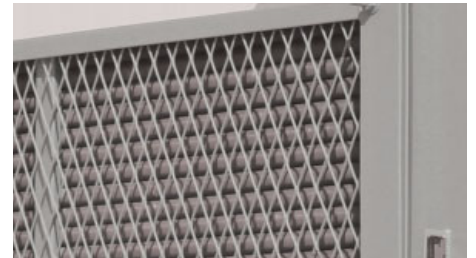
MODEL VV ADVANTAGES

- Horizontal air flow may be either forced or induced draft to meet individual installation requirements.



Optional Louvers on Gas Section

- Easily adaptable to a variety of drive types.
- Designed to be compact and portable.
- Core guards protect cooling sections when louvers are not required.

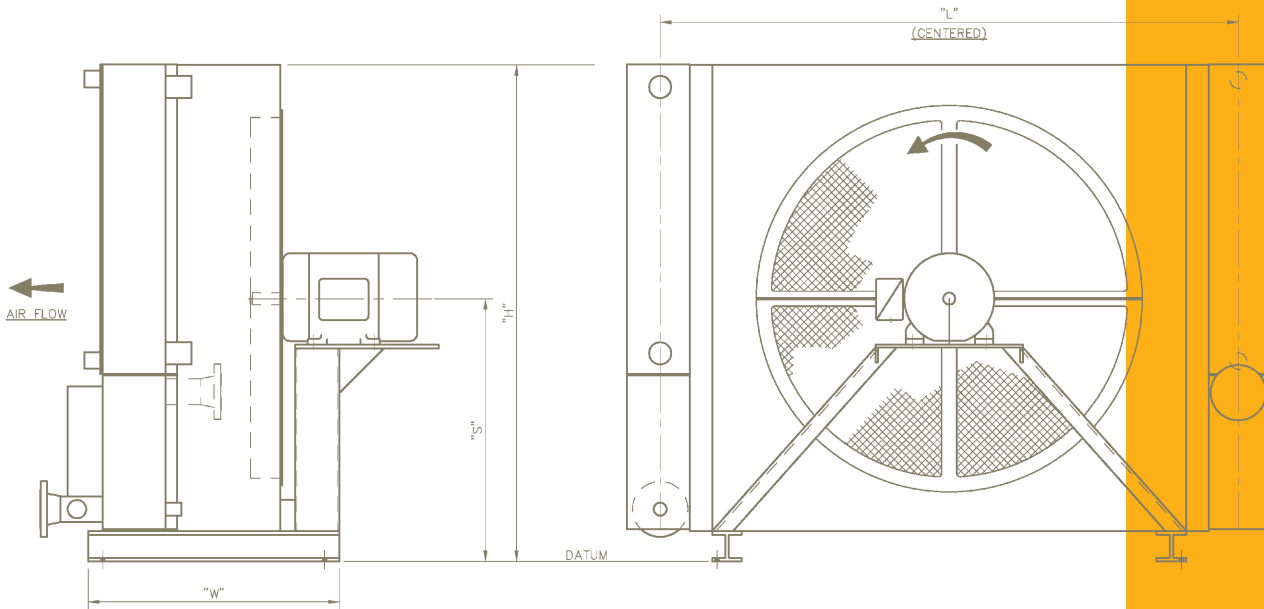


Cooling Section Core Guard (Standard)



Optional Electric Drive





FAN DIAMETER	L	W	H	S	FAN DIAMETER	L	W	H	S
18	27	20	25	14	42	75	34	50	27
24	39	27	31	17	48	75	34	67	35
30	51	27	38	21	54	75	42	82	43
32	51	30	43	23	60	87	42	82	43
36	63	30	43	23					

L = Length, W = Base beam width, H = Height, S = Grade to c/l shaft
 *Dimensions shown in inches **Dimensions may vary for estimation only.

AIR-X-CHANGERS MODEL VV

OPTIONAL FEATURES

- Cooler finish per customer specifications, including tint-to-match paint and galvanizing.
- Louvers (manual or automated) to control air flow for temperature control.
- Bug screens / lint screens over air intake to minimize external fouling of cooling sections.

MODEL VV