

## MODEL VV

The cost-efficient solution for low-horsepower gas, water and lube oil cooling.



*48 VV with Standard Core Guard and Optional Manually Operated Main Louvers*

### MODEL VV SPECIFICATIONS

- Fan diameters from 18" to 60".
- Engine drive and electric motor drive configurations.
- Typical compression HP: 50-250.

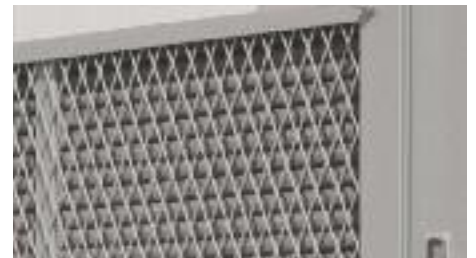
### MODEL VV ADVANTAGES

- Horizontal air flow may be either forced or induced draft to meet individual installation requirements.



*Optional Louvers on Gas Section*

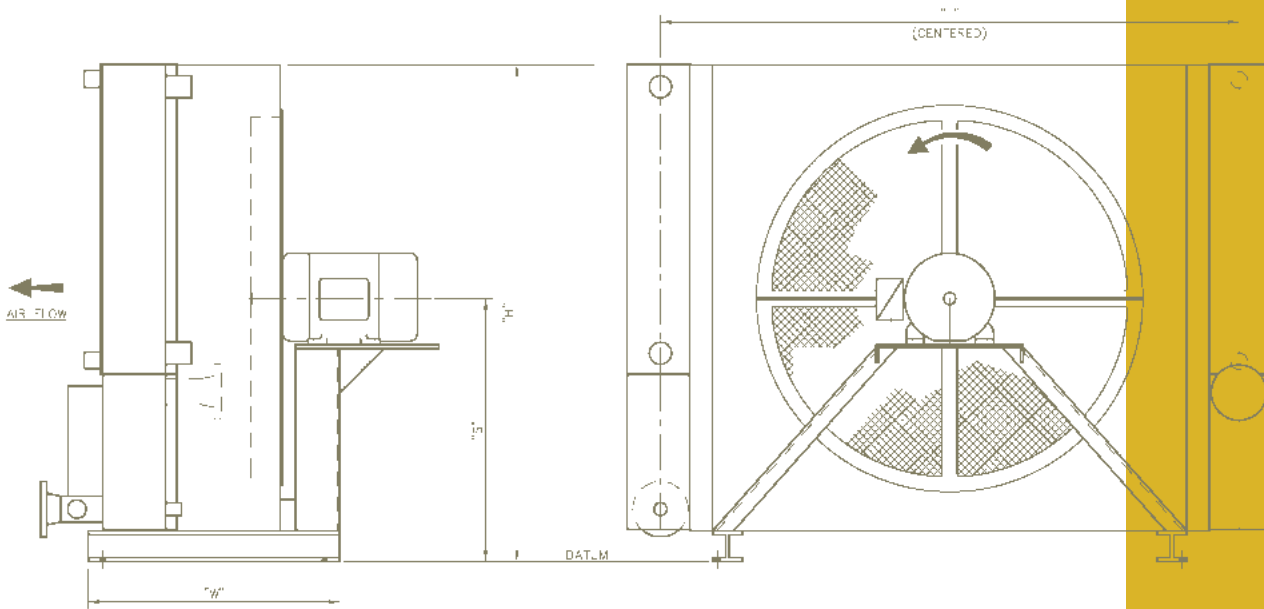
- Easily adaptable to a variety of drive types.
- Designed to be compact and portable.
- Core guards protect cooling sections when louvers are not required.



*Cooling Section Core Guard (Standard)*



*Optional Electric Drive*



FAN DIAMETER	L	W	H	S	FAN DIAMETER	L	W	H	S
18	27	20	25	14	42	75	34	50	27
24	39	27	31	17	48	75	34	67	35
30	51	27	38	21	54	75	42	82	43
32	51	30	43	23	60	87	42	82	43
36	63	30	43	23					

L = Length, W = Base beam width, H = Height, S = Grade to c/l shaft  
 \*Dimensions shown in inches \*\*Dimensions may vary for estimation only.

## HARSCO INDUSTRIAL AIR-X-CHANGERS MODEL VV

### OPTIONAL FEATURES

- Cooler finish per customer specifications, including tint-to-match paint and galvanizing.
- Louvers (manual or automated) to control air flow for temperature control.
- Bug screens / lint screens over air intake to minimize external fouling of cooling sections.